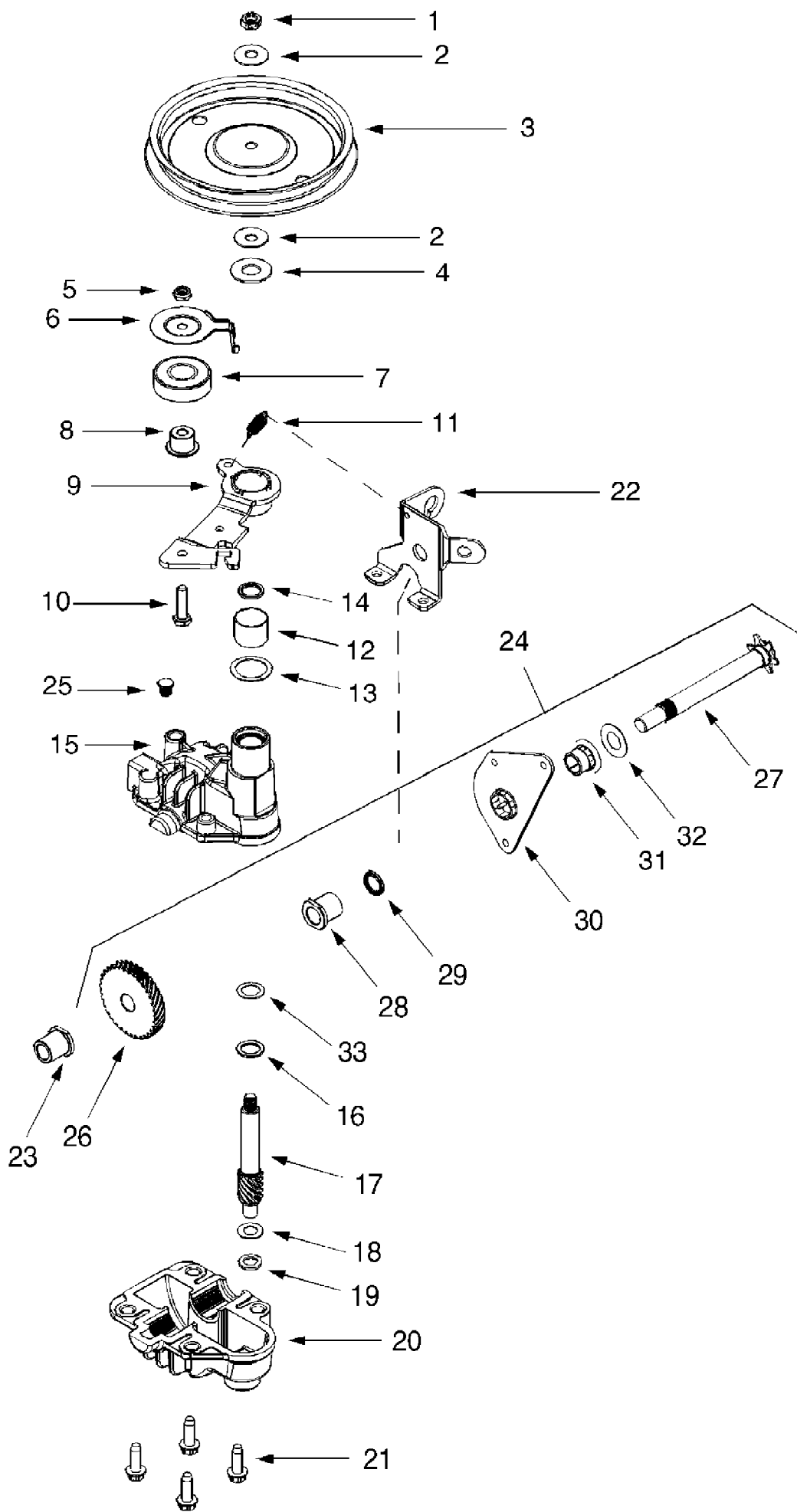


12BE999M190 LC-215E (2000)
Cable Controls

Page 2 of 9

Ref #	Part Number	Qty	S/P/F	Description
1	746-0939	1	S	Speed Selector Cable, 53"
2	656-0613	1	S	Multi-speed Pulley Assembly
3	710-0167	1	/P	Carriage Bolt, 1/4-20 x. 5
4	710-0896	1	/P	Self-tapping Screw, 1/4-20 x .625
5	711-1114	1		Pivot Shaft
6	712-0287	1	S	Nut, 1/4-20
7	732-0807	1	S	LH Torsion Spring
8	736-0270	1	/P	Bell Washer, .265 x .75 x .062
9	736-0329	1	S	Lock Washer, 1/4
10	736-0526	1	S	Wave Washer, 1.38 x .88 x .029
?11	738-0924	1	S	Shoulder Bolt, .34 x .35 x 1/4-20
12	750-1070	1	S	Sleeve Spacer, .88 ID x 1 OD x .48
13	750-1071	1	S	Sleeve Spacer, .88 ID x 1.13 OD x .12
14	756-0625	1		Cable Roller
15	782-7574	1	S	Cable Adjuster Barcket
16	782-7575	1	S	Cable Mounting Barcket
17	782-7596	1	S	Control Arm
18	782-7597	1	/P	Pivot Bracket
19	712-0138	1	S	Hex Nut, 1/4-20

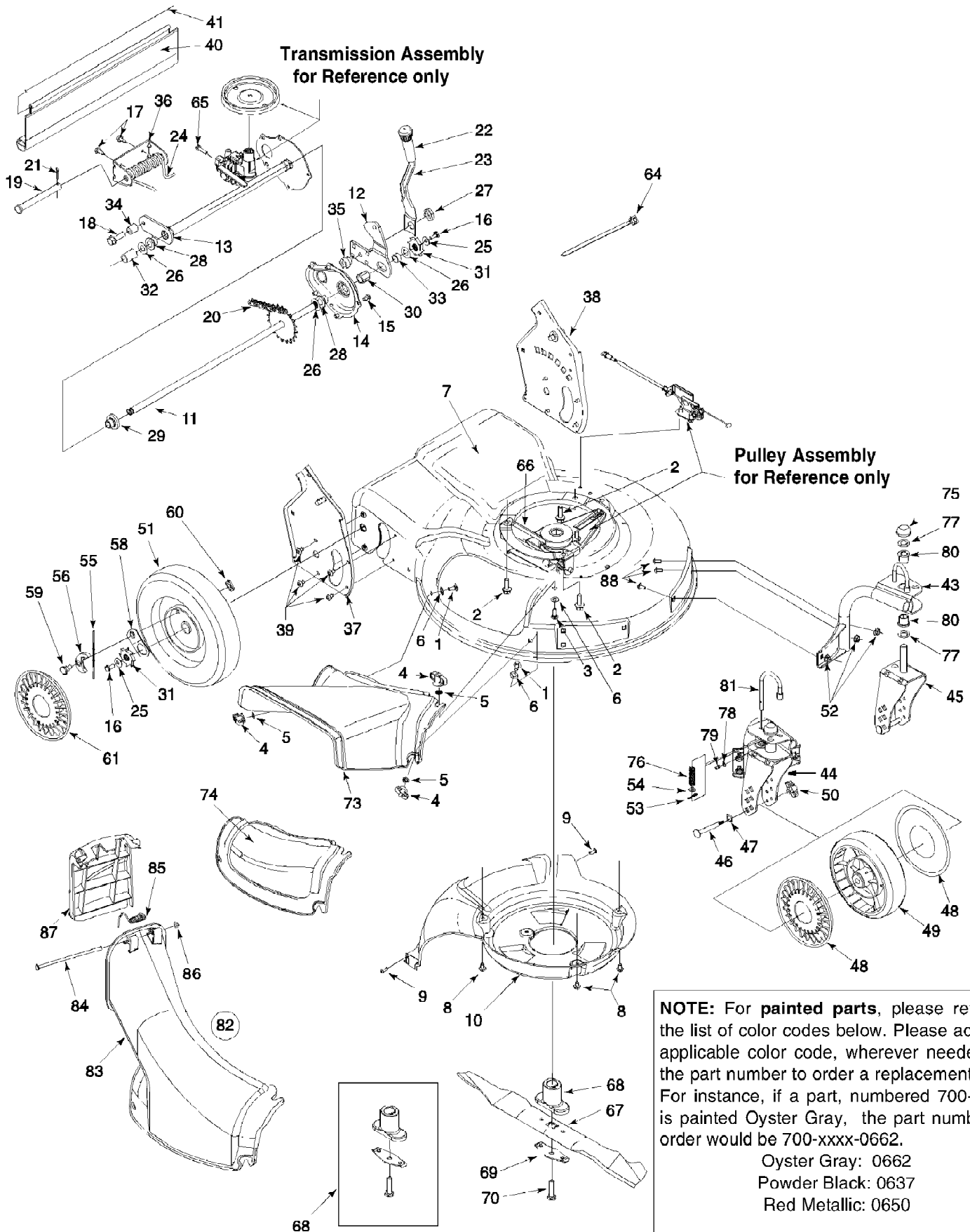
12BE999M190 LC-215E (2000)
Drive & Transmission



12BE999M190 LC-215E (2000)
Drive & Transmission

Page 4 of 9

Ref #	Part Number	Qty	S/P/F	Description
1	712-3025	1		Hx. Jam Nut, 5/16-24
2	736-0425	1	S	Bell Wash. .325 x .930 x .045
3	756-0656	1	/P	Pulley
4	736-3084	1	/P	Fl. Wash. .510 x 1.120 x .060
5	712-0896	1		Hx. Jam Nut , 1/4-28
6	782-7598	1		Belt Keeper
7	741-0600	1	S	Bearing
8	750-1050	1		Flange Spacer
9	682-0027A	1	S	Idler Bracket Assembly
10	710-0299	1		Hx. Cap Scr. 1/4-28 x 1.00
11	732-0849A	1	S	Extension Spring
12	741-0682A	1	/P	Bearing Sleeve
13	736-0570	1	S	Fl. Wash. .885 x 1.145 x.030
14	721-0329	1	S	Oil Seal
15	618-0253	1		Upper Housing Assembly
16	736-0616	1	S	Thrust Washer
17	717-1487	1	S	Pinion Shaft, 10 T.
18	736-0314	1	S	Thr. Wash. 3/8 x .70 x .030
19	736-0569	1	S	Thr. Wash. .388 x .625 x .062
20	618-0252	1	S	Lower Housing Assembly
21	710-0642	1	/P	Hx. Scr. 1/2-20 x .75
22	782-7601A	1	S	Cable Bracket
23	741-0674	1	S	Bearing
24	611-0066	1	S	Shaft Assembly
25	721-0325	1		Plug
26	717-1469	1		Gear 34 T.
27	711-1168	1		Output Shaft, 6 T.
28	741-0672	1		Flange Bearing
29	721-0329	1	S	Oil Seal
30	782-7595	1		Pivot Bracket
31	741-0324	1	S	Flange Bearing
32	736-0369	1	S	Flat Washer
33	741-0690	1		Bearing



12BE999M190 LC-215E (2000)
General Assembly

Page 6 of 9

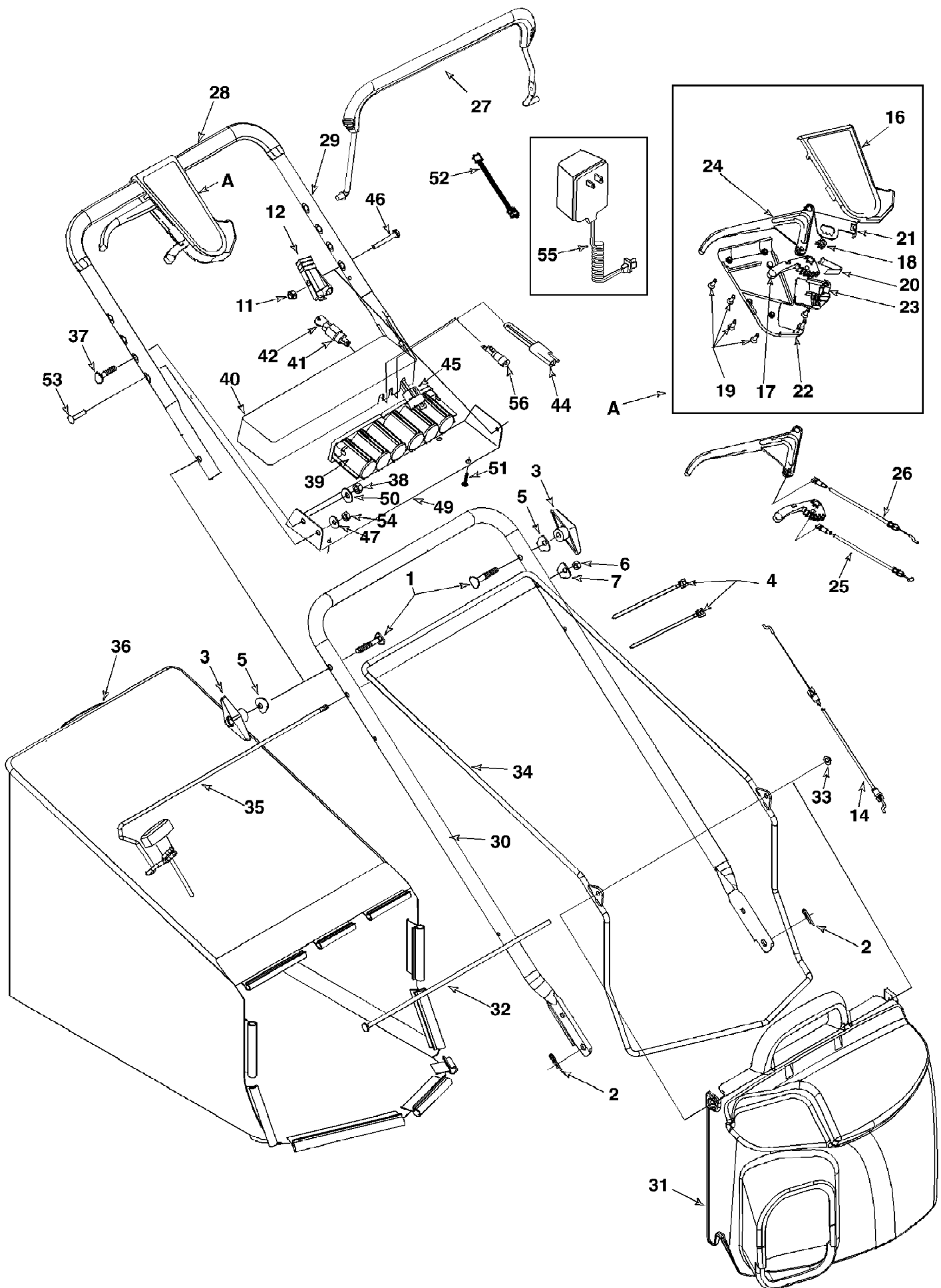
Ref #	Part Number	Qty	S/P/F	Description
1	710-0134	1	/P	Scr. Carr. 1/4-20 x .62
2	710-0654A	1	/P	Scr. TT:3/8-18:1.00
3	710-0703	1	/P	Carriage Scr. 1/4-20 x .750
4	712-0397	1	S	Wing Nut 1/4-20
5	726-0233	1	/P	Nut, Push .25 I.D. x .50 O.D.
6	736-0204	1	/P	Wash. Fl. .334 I.D.x .62 x.03
7	782-0046A	1	S	Deck - 21"
8	710-0653	1	/P	Scr. TT. 1/4-20 x .375
9	710-1220	1	/P	Scr. HL. 1/2-14 x .750
10	731-1828	1		Baffle
11	638-0012	1	S	Rear Axle Assembly
12	782-0566B	1	S	Pivot Arm Assembly
13	682-7526	1	S	Trans. Axle Assembly
14	682-7528	1	S	Chain Cover Assembly
15	710-0653	1	/P	Scr. TT 1/4-20 x .375
16	710-0751	1	/P	Cap Screw HH 1/4-20 x .620
17	710-0896	1	/P	Scr. AB 1/4-20x.625
18	710-1315	1	/P	Scr. 3/8 116 x .25
19	711-0835	1	S	Clevis Pin .50 Dia. x 4.82 Lg.
20	713-0453	1	S	Chain-Endls. #48 .500P x 24L
21	714-0474	1	S	Cotter Pin .125 O.D. x .75
22	720-0223	1		Grip
23	732-0803A	1	/P	Spring Lever
24	732-0832	1		Torsion Spring
25	736-0270	1	/P	Bell Wash. .285 x .75 x .082
26	736-0369	1	S	Fl. Wash..508 I.D. 1.000 x.020
27	738-0529	1	S	Nut Shld. .825 Dia. x .165 Lg.
28	741-0324	1	S	Hx.Fl.g. Brg..506 I.D. x .590 L.
29	741-0522	1	S	Hx.Fl.g. Brg. .506 I.D. x.715 L.
30	741-0978	1		Hx. Slv. Brg..504 I.D. x .830 L.
31	748-0318	1	S	Wheel Ratchet
32	750-0151	1	S	Spacer .550 I.D. x .750 O.D.
33	750-0515	1		Spacer .51 .D. x .70 O.D. x 38 L.
34	750-0807	1		Spacer .385 x .624 x .700
35	750-1056	1	S	Shld. Spacer .385 I.D. X .715 Lg.
36	782-0568	1	S	Brkt. - Ht. Adj. Spring
37	682-3052	1		Handle Brkt. Ass'y. R.H.
38	682-3053	1		Handle Brkt. Ass'y. L.H.
39	710-1348	1	/P	Scr. AB 1/4-14 x .500
40	731-1901	1	S	Trail Shield
41	732-0842	1		Trail Shield Wire
43	682-9020A	1	/P	Caster Assy. R.H.
43	682-9021A	1	/P	Caster Assembly L.H.
44	682-9024	1		Caster Bracket Assembly: RH
45	682-9026	1		Caster Bracket Assembly: LH
46	711-1146	1	S	Caster Axle .374 Dia x 2.50"
47	736-0232	1	S	Wave Washer
48	731-1887	1		Hub Cap, Gray w/ Hole
49	734-1857	1	/P	Wheel 7 x 2 Link
50	712-0397	1	S	Wing Nut 1/4-20
51	734-1981	1	S	Wheel 9 x 2 Link
52	712-3004A	1	/P	Lock Nut 5/15-18
53	714-0104	1	S	Pin .072 x .12 Lg.

12BE999M190 LC-215E (2000)
General Assembly

Page 7 of 9

Ref #	Part Number	Qty	S/P/F	Description
54	736-0264	1	S	Fl. Wash. .330 x .830 x .060
55	10622B	1	S	Spring, Ratchet, Plastic
56	748-0381	1		Pawl - R.H.
56	748-0188B	1	S	Pawl - L.H.
58	16855	1		Ratchet Pawl Plate
59	738-0137A	1	S	Scr. Shld. .340 x .285
60	712-0414	1	S	Top Lock Tab Weld Nut 1/4-20
61	731-0981A	1	S	Hubcap, Gray w/o hole
64	725-0157	1	/P	Cable Tie
65	710-0604	1	S	Hex Scr. 5/16-18
66	754-0460	1	S	Belt, 3/8" x 39.24"
67	742-0741	1	S	21" Mulching Blade
68	748-0377C	1	S	Blade Adapter
69	736-0524A	1	S	Blade Bell Support
70	710-1257	1	/P	Hex Bolt 3/8-24x2.5" Lg.
73	731-1832	1		Side Discharge Chute
74	731-1833	1	S	Mulch Cover
75	726-0214	1	/P	Push Cap
76	732-0306	1	S	Compression Spring
77	736-0366	1	/P	Fl. Wash. .5/8 I.D. x 1" O.D.
78	736-0931	1	/P	Fl. Wash. .203 x .403 x .040
79	737-3000	1	S	Fitting - Grease
80	741-0685	1		Flange Bearing
81	747-0924	1		Locking Pin
82	631-0066	1	S	Chute Ass'y
83	731-1713A	1	S	Discharge Chute
84	747-0965	1		Pivot Rod
85	732-0819	1		Torsion Spring
86	726-0111	1	/P	Push Cap
87	731-1874	1		Chute Door
88	710-0260	1	S	Carr. Bolt 5/16-18 x.62

12BE999M190 LC-215E (2000)
Handle, Control & Bag



12BE999M190 LC-215E (2000)
Handle, Control & Bag

Page 9 of 9

Ref #	Part Number	Qty	S/P/F	Description
1	710-1174	1	/P	Bolt Cur. Carr. 5/16-18 x 2.0
2	714-0104	1	S	Cotter Pin .072 x 1.12 Lg.
3	720-0241	1	S	Knob Assembly 5/16-18
4	726-0240	1	S	Strap 4.3" Lg.
5	736-0451	1	S	Wash. Sad. .320 ID x.830 OD
6	720-0270	1		Handle Knob 1/4-20
7	736-0451	1	S	Saddle Washer
11	712-0324	1	/P	Nut 1/4-20 Top Lock Nut Insert
12	646-0875	1	S	Control Cable Housing
14	746-0912	1	S	Control Cable 44" Lg.
16	731-0904A	1	S	Upper Control Housing
17	731-0924	1		6-Speed Shift Lever
18	713-0397	1	S	Gear Insert
19	710-1667A	1	/P	C Sunk Tap Screw #10-16x.625
20	732-0627	1		Shift Lever Spring
21	16864	1		6 Spd. Rack Cable Brkt.
22	731-0905A	1	S	Lower Control Housing
23	731-0906	1	S	Cable Mounting Cap
24	731-0620	1	S	Control Lever
25	746-0939	1	S	6 Spd. Cable
26	746-0713	1	S	Self Prop. Cable, 52"
27	647-0004	1		Control Handle
28	720-0294	1	/P	Foam Grip (2 required)
29	749-0439C	1	S	Upper Handle
30	749-0907A	1	S	Lower Handle
31	631-0071	1	/P	Grass Bag Cover
32	747-0939	1		Pivot Rod
33	726-0106	1	S	Cap Nut
34	747-0937	1	S	Frame (Grass Bag)
35	747-0940A	1	S	Rod, Support
36	664-0105	1		Grass Bag
37	710-1250	1	/P	Cur. Carr. Bolt 5/16-18 x 1"
38	712-3010	1	S	Hex Nut 5/16-18 Thd.
39	725-1276	1	S	Battery Pack - 12 Volt
40	731-0891A	1	/P	Battery Tray
41	725-0873	1	S	Ignition Switch
42	725-0201	1	S	Ignition Key
44	725-1206	1	S	Plug
45	625-0021	1		Wire Harness
46	710-1270	1		Hex Bolt 1/4-20 x 1.3" Lg.
47	736-0270	1	/P	Bell Wash 1/4" I.D.
49	782-9012	1	S	Lower Battery Tray
50	736-0242	1	/P	Bell Wash. 5/16" I.D.
51	710-0969	1	/P	Truss Mch. Tap Scr. 1"
52	725-1538	1		Harness Ext.
53	710-0111	1	/P	Scr. 1/4-20 x 1.25
54	712-0287	1	S	Hex Nut 1/4-20
55	725-0727	1	S	Battery Charger
56	725-1428	1	S	Fuse Holder
	725-0298	1	S	Fuse 7.5 Amp (Not shown)